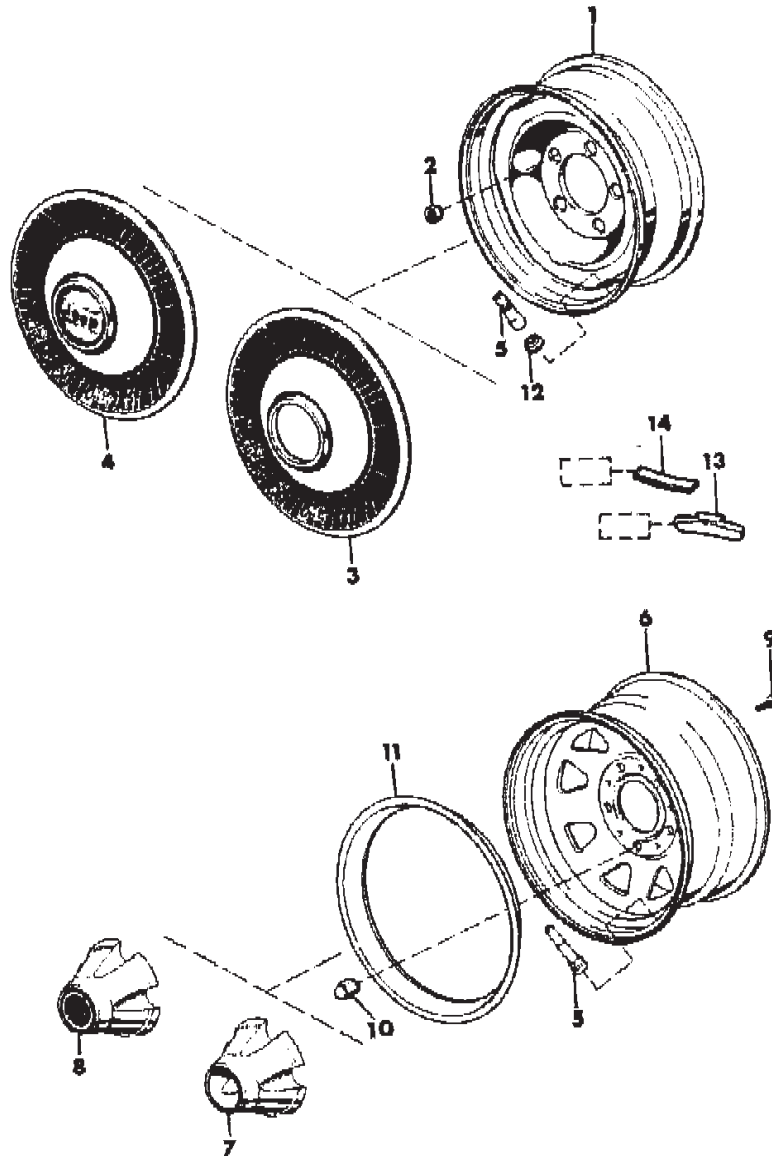


WHEEL, CAPS, COVERS AND WEIGHTS, CJ-5,6,7,8, SCRAMBLER
Figure 22-100

81J22 100



ITEM	PART NUMBER	QTY	BODY	MODEL	DESCRIPTION
1					WHEEL, Steel
	J535 6164	AR			15"x6", P.A.R.
	J535 8808	AR			15"x5-1/2"
	J805 3183	AR			16"x5", P.A.R.
2	J063 5516	AR			NUT, Lug
3	J535 8281	2			COVER, Wheel
4	J535 4752	4			COVER, Wheel
5	J535 5858	AR			EXTENSION, Valve
6					WHEEL, Styled Steel
	J536 4115	AR			15"x7", Argent, P.A.R.
	J536 3400	AR			15"x7", Chrome
	J536 3305	AR			15"x7", White-Black Stripes
	J536 3809	AR			15"x7", Blue or Yellow, P.A.R.
	J535 9774	AR			15"x8", Chrome, Used Less Wheel Hub Caps
	J535 3090	AR			15"x8", Chrome, Used With Wheel Hub Caps
	J536 1396	AR			15"x8", White, Used Less Wheel Hub Caps
	J536 3091	AR			15"x8", White, Used With Wheel Hub Caps
7	J536 2006	2			CAP, Hub
8	J536 2005	2			CAP, Hub
9	J400 7001	AR			SCREW
10	J400 5694	AR			NUT, Lug, Chrome
11	J536 3880	AR			RING, Trim
12	J535 2883	AR			BUSHING
13		AR			WEIGHT, Wheel
	J812 8424	AR			1/4 oz.
	J316 5949	AR			1/2 oz.
	J313 1615	AR			1 oz.
	J316 5783	AR			1-1/2 oz.
	J312 3943	AR			2 oz.
	J316 5784	AR			2-1/2 oz.
	J812 8425	AR			3 oz.
	J812 8426	AR			3-1/2 oz.
	J535 6329	AR			4 oz.
14	J322 6926	AR			1/2 oz.
	J322 6925	AR			1 oz.
	J322 6924	AR			1-1/2 oz.
	J322 6923	AR			2 oz.
	J322 6922	AR			2-1/2 oz.
	J322 6921	AR			3 oz.

MODEL CODES			
16=Cherokee 2 Dr.(1981-83)	78=Cherokee 4WD-4 Dr.(1984-86)	64=Comanche 2WD-6 Ft. Box(1986)	25=J-10 Truck 7 Ft. Box(1981-84)
17=Cherokee 2 Dr.(1981-83)	85=CJ-5 (1981-83)	66=Comanche 2WD-7 Ft. Box(1986)	26=J10 Truck 8 Ft. Box(1981-86)
73=Cherokee 2WD-2 Dr.(1984-86)	86=CJ-6(1981)	63=Comanche 4WD-6 Ft. Box(1986)	27=J-20 Truck 8 Ft. Box(1981-86)
74=Cherokee 2WD-4 Dr.(1984-86)	87=CJ-7(1981-86)	65=Comanche 4WD-7 Ft. Box(1986)	15=Wagoneer 4 Dr.(1981-83)
18=Cherokee 4 Dr.(1981-83)	88=CJ-8, Scrambler(1981-86)	15=Grand Wagoneer 4 Dr.(1984-86)	75=Wagoneer 4WD-4 Dr.(1984-86)
77=Cherokee 4WD-2 Dr.(1984-86)			

BODY
CJ=CJ-5, CJ-6, CJ-7, CJ-8, Scrambler(1981-86)
MJ=Comanche Pickup(1986)

STYLES
SJ=Wagoneer(1981-83), Grand Wagoneer(1984-86),
Cherokee(1981-83), J-10, J-20(1981-86)
XJ=Wagoneer(1984-86), Cherokee(1984-86)

AR = Use as Required - = Non Illustrated Part P.A.R. = Paint as Required