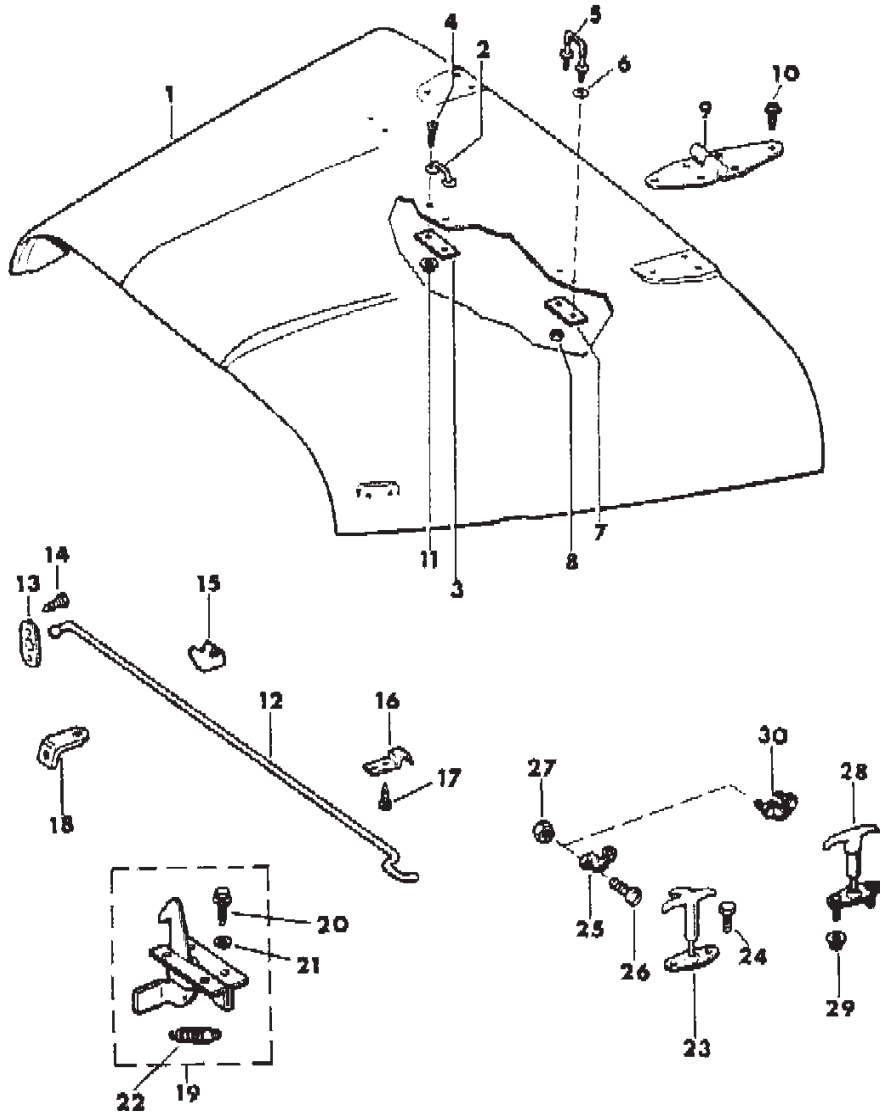


HOOD, LOCK AND CATCHES CJ  
Figure 23A-300

81J59 300



ITEM	PART NUMBER	QTY	BODY	MODEL	DESCRIPTION
1	J098 6220	1			HOOD 1981
	J576 1180	1			1982-86
2	J545 5264	1			LOOP, Footman 1981-82: Without Vinyl Coating
	J576 2601	1			1982-85: With Vinyl Coating
	J576 6802	1			1985-86
3	J545 5265	1			REINFORCEMENT
4					SCREW
	J400 6437	2			FLat Head
	J400 7088	2			Oval Head
5					BUMPER
	J575 2339	2			Chrome
	J097 9210	2			Vinyl coated on upper portion of U-Bolt
	J813 4315	2			Vinyl coated up to threads of U-Bolt
6	J096 1078	4			WASHER
7	J813 3111	2			REINFORCEMENT
8	J027 1172	4			NUT
9	J545 9516	2			HINGE, Hood
10	J400 4455	10			SCREW
11	J027 1166	2			NUT
12	J097 9722	1			ROD
13	J097 9727	1			BRACKET, Hood Prop Rod
14	J045 6334	2			SCREW
15	J097 9725	1			BRACKET
16	J093 9305	1			RETAINER
17	S016 1860	2			SCREW
18	J097 3857	1			BRACKET
19	J575 2530	1			LOCK ASSEMBLY, Hood
20	J098 7145	AR			SCREW
21	J096 1078	AR			WASHER
22	J097 8984	1			SPRING
23					CATCH
	J575 1191	2			1981-84 ***
	J576 2325	2			1981-84: EXPORT, Economic Commission of Europe, Japan ***
24	J096 8651	4			BOLT: 1981-84 ***
25	J575 1190	2			BRACKET: 1981-84 ***
26	S016 0515	4			BOLT: 1981-84 ***
27	J027 1172	4			NUT:1981-84 ***

MODEL CODES

16=Cherokee 2 Dr.(1981-83)	78=Cherokee 4WD-4 Dr.(1984-86)	64=Comanche 2WD-6 Ft. Box(1986)	25=J-10 Truck 7 Ft. Box(1981-84)
17=Cherokee 2 Dr.(1981-83)	85=CJ-5 (1981-83)	66=Comanche 2WD-7 Ft. Box(1986)	26=J10 Truck 8 Ft. Box(1981-86)
73=Cherokee 2WD-2 Dr.(1984-86)	86=CJ-6(1981)	63=Comanche 4WD-6 Ft. Box(1986)	27=J-20 Truck 8 Ft. Box(1981-86)
74=Cherokee 2WD-4 Dr.(1984-86)	87=CJ-7(1981-86)	65=Comanche 4WD-7 Ft. Box(1986)	15=Wagoneer 4 Dr.(1981-83)
18=Cherokee 4 Dr.(1981-83)	88=CJ-8, Scrambler(1981-86)	15=Grand Wagoneer 4 Dr.(1984-86)	75=Wagoneer 4WD-4 Dr.(1984-86)
77=Cherokee 4WD-2 Dr.(1984-86)			

BODY

CJ=CJ-5, CJ-6, CJ-7, CJ-8, Scrambler(1981-86)  
MJ=Comanche Pickup(1986)

STYLES

SJ=Wagoneer(1981-83), Grand Wagoneer(1984-86),  
Cherokee(1981-83), J-10, J-20(1981-86)  
XJ=Wagoneer(1984-86), Cherokee(1984-86)

AR = Use as Required - = Non Illustrated Part P.A.R. = Paint as Required