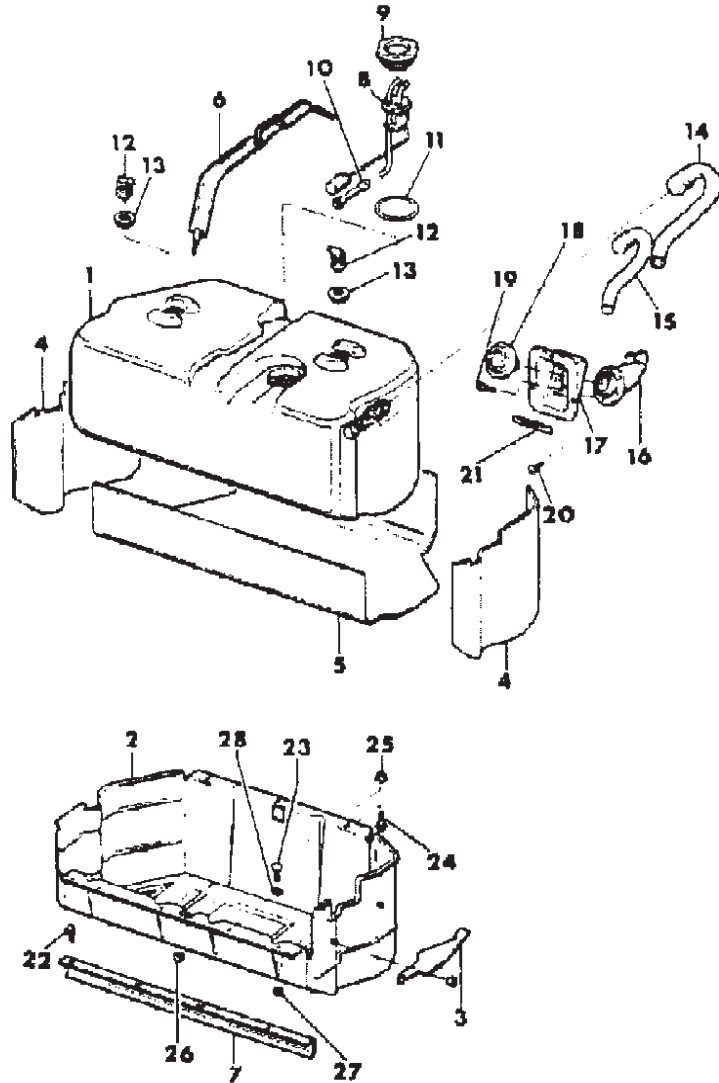


FUEL TANK 20.0 GALLON CJ-5,6,7,8, SCRAMBLER
Figure 14-3800

81J14 3800



ITEM	PART NUMBER	QTY	BODY	MODEL	DESCRIPTION
1	J536 2498	1			TANK, Fuel
2	J536 3147	1			SHIELD, Fuel Tank
3	J536 3015	1			SHIELD, Fuel Tank
4	J536 3232	2			PAD, Fuel Tank
5	J536 3225	1			PAD, Fuel Tank
6	J536 3078	1			STRAP
7	J536 3513	1	88		SHIELD
8	J536 2090	1			GAUGE, Fuel ***
9	J537 0014	1			LOCK
10	J536 1389	1			FILTER
11	J094 1521	1			GASKET
12	J536 2541	2			VALVE
13	J536 0059	2			SEAL
14					HOSE, Filler
	J536 3050	1	85		
	J536 2158	1	87		
	J536 3317	1	88		1982
	J536 4198	1	88		1983-86
15					HOSE, Vent
	J536 3049	1	85		
	J536 2159	1	87		
	J536 3316	1	88		1982
	J536 4197	1	88		1983-86
16					TUBE, Fuel Filler
	J536 3879	1			1981: US
	J536 3878	1			1981: CANADA
	J536 3878	1			1981: EXPORT, Australian Design Rules, Economic Commission of Europe, Non-Regulated Markets
	J536 3877	1			1981: EXPORT, Diesel
	J536 3879	1	85,87		1982-83: US
	J536 3878	1	85,87		1982: CANADA
	J536 4176	1	88		1982-83: US
	J536 4185	1	88		1982-83: CANADA
	J536 3878	1	87		1982-85: EXPORT, Australian Design Rules, Economic Commission of Europe, Non-Regulated Markets
	J536 4185	1	88		1982-85: EXPORT, Australian Design Rules, Economic Commission of Europe, Non-Regulated Markets
	J536 3878	1	87		1982-85: Japan
	J536 4760	1	87		1984-86: US, CANADA

MODEL CODES

16=Cherokee 2 Dr.(1981-83)	78=Cherokee 4WD-4 Dr.(1984-86)	64=Comanche 2WD-6 Ft. Box(1986)	25=J-10 Truck 7 Ft. Box(1981-84)
17=Cherokee 2 Dr.(1981-83)	85=CJ-5 (1981-83)	66=Comanche 2WD-7 Ft. Box(1986)	26=J10 Truck 8 Ft. Box(1981-86)
73=Cherokee 2WD-2 Dr.(1984-86)	86=CJ-6(1981)	63=Comanche 4WD-6 Ft. Box(1986)	27=J-20 Truck 8 Ft. Box(1981-86)
74=Cherokee 2WD-4 Dr.(1984-86)	87=CJ-7(1981-86)	65=Comanche 4WD-7 Ft. Box(1986)	15=Wagoneer 4 Dr.(1981-83)
18=Cherokee 4 Dr.(1981-83)	88=CJ-8, Scrambler(1981-86)	15=Grand Wagoneer 4 Dr.(1984-86)	75=Wagoneer 4WD-4 Dr.(1984-86)
77=Cherokee 4WD-2 Dr.(1984-86)			

BODY

CJ=CJ-5, CJ-6, CJ-7, CJ-8, Scrambler(1981-86)
MJ=Comanche Pickup(1986)

STYLES

SJ=Wagoneer(1981-83), Grand Wagoneer(1984-86),
Cherokee(1981-83), J-10, J-20(1981-86)
XJ=Wagoneer(1984-86), Cherokee(1984-86)

AR = Use as Required - = Non Illustrated Part P.A.R. = Paint as Required