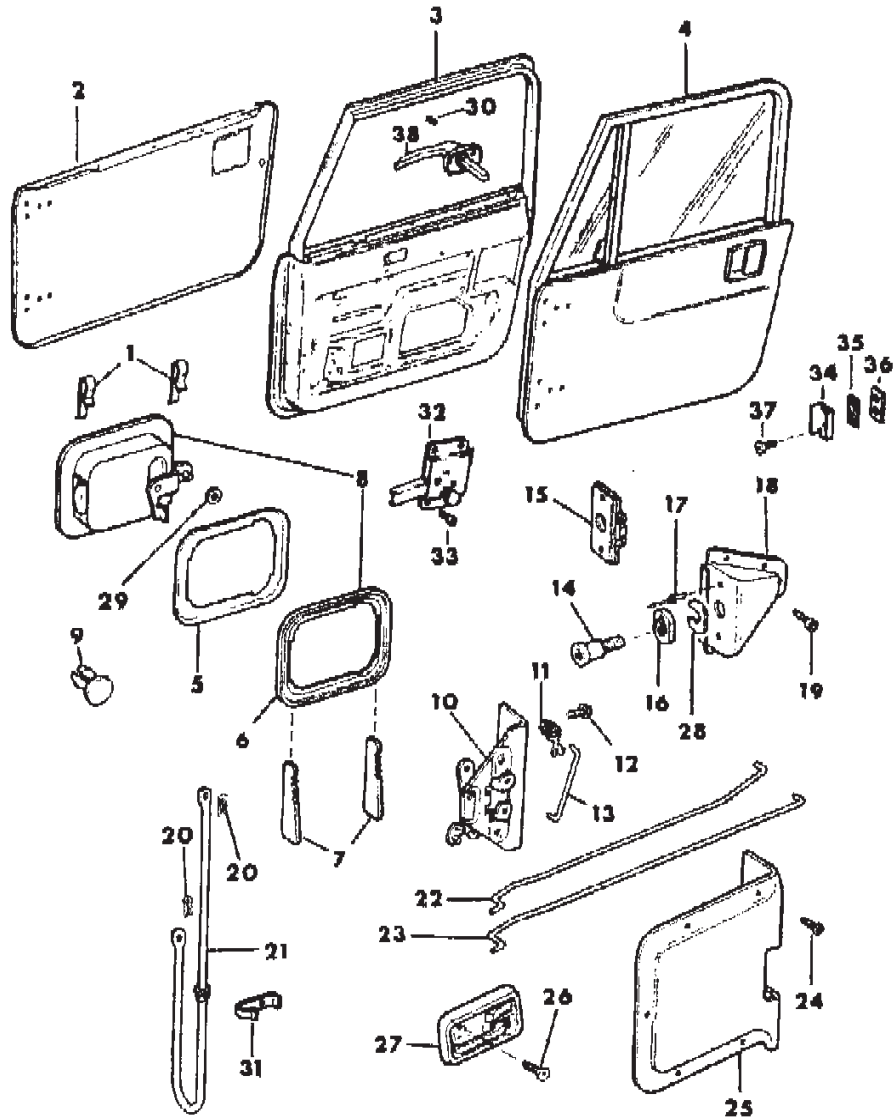


DOORS, FULL, FRONT HANDLES, LATCHES, RODS, WITH FIXED VENT CJ-7,8 1981-82
Figure 23C-200

81J71 200



ITEM	PART NUMBER	QTY	BODY	MODEL	DESCRIPTION
	T065 0261	1			Right
	T065 0326	1			Left
28	J575 8193	4			SHIM
29	3420 1846	2			WASHER
30	J400 4980	4			SCREW
31	J400 6879	2			CLIP
32	J546 1866-7	1			LATCH, Door
33	J400 5657	8			SCREW
34	J545 9838	2			STRIKER, Door
35	J545 9187	AR			SHIM
36	J545 9677	2			PLATE, Tapping
37	J400 4995	4			SCREW
38	J812 8461	2			HANDLE, Exterior, w/Cylinder

MODEL CODES

16=Cherokee 2 Dr.(1981-83)	78=Cherokee 4WD-4 Dr.(1984-86)	64=Comanche 2WD-6 Ft. Box(1986)	25=J-10 Truck 7 Ft. Box(1981-84)
17=Cherokee 2 Dr.(1981-83)	85=CJ-5 (1981-83)	66=Comanche 2WD-7 Ft. Box(1986)	26=J10 Truck 8 Ft. Box(1981-86)
73=Cherokee 2WD-2 Dr.(1984-86)	86=CJ-6(1981)	63=Comanche 4WD-6 Ft. Box(1986)	27=J-20 Truck 8 Ft. Box(1981-86)
74=Cherokee 2WD-4 Dr.(1984-86)	87=CJ-7(1981-86)	65=Comanche 4WD-7 Ft. Box(1986)	15=Wagoneer 4 Dr.(1981-83)
18=Cherokee 4 Dr.(1981-83)	88=CJ-8, Scrambler(1981-86)	15=Grand Wagoneer 4 Dr.(1984-86)	75=Wagoneer 4WD-4 Dr.(1984-86)
77=Cherokee 4WD-2 Dr.(1984-86)			

BODY

CJ=CJ-5, CJ-6, CJ-7, CJ-8, Scrambler(1981-86)
MJ=Comanche Pickup(1986)

STYLES

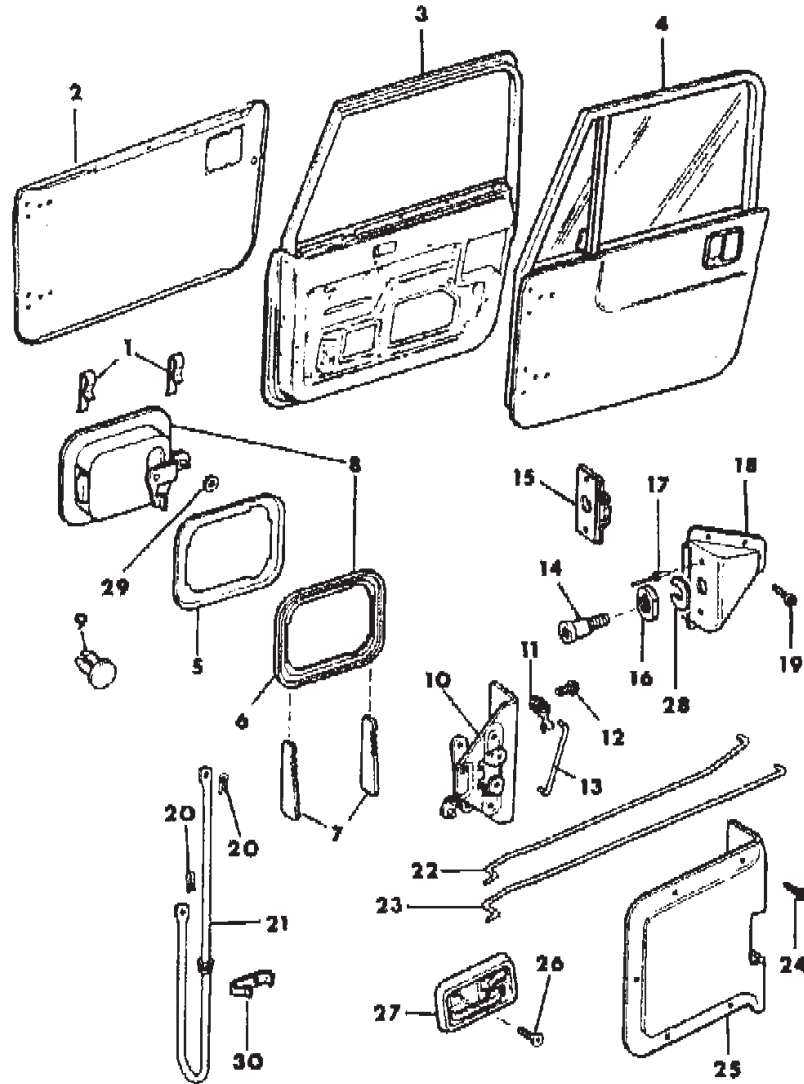
SJ=Wagoneer(1981-83), Grand Wagoneer(1984-86),
Cherokee(1981-83), J-10, J-20(1981-86)
XJ=Wagoneer(1984-86), Cherokee(1984-86)

AR = Use as Required - = Non Illustrated Part P.A.R. = Paint as Required

DOORS, FULL, FRONT HANDLES, LATCHES, RODS, WITH MOVABLE VENT CJ-7,8 1982-86

Figure 23C-300

81J71 300



ITEM	PART NUMBER	QTY	BODY	MODEL	DESCRIPTION
1	8350 2268	4			CLIP
2	J576 1130-1	1			PANEL, Repair
3	J576 2362-3	1			DOOR, w/Inner and Outer Panels w/o World Cab
	J556 8055	1			w/World Cab, Right
	J556 8054	1			w/World Cab, Left
4	8350 0652	1			DOOR ASSEMBLY, Also Order 83500653 Mtg. Kit *** Right
	8350 0651	1			Left
5	J575 8898	2			BEZEL, Trim
6	J575 8174	2			GASKET
7	J575 8175	4			KEEPER ***
8	J575 8172	1			HANDLE, Exterior
9	J400 4949	4			PLUG
10	J575 8176-7	1			LATCH, Door
11	J400 4532	2			CLIP, w/Bushing
12	J400 6874	4			SCREW
13	J575 8190	2			ROD, Lock Cylinder
14	J575 8191	2			STRIKER, Door
15	J575 8194	2			PLATE, Tapping
16	J575 8192	2			PLATE, Striker
17	J400 6878	4			RIVET
18	J575 8468-9	1			COVER, Striker
19	J400 5817	8			SCREW
20	J400 5122	4			PIN
21	J575 8954-5	1			ROD, Latch Release 1981-84
	J576 5376-7	1			1984-86
22	J575 8948-9	1			ROD, Locking
23	J575 8950-1	1			ROD, R/Control
24	J400 4812	10			SCREW
25	J575 8170-1	1			COVER, Latch
26	J400 6870	2			SCREW
27	T065 0261	1			HANDLE, R/Control Right
	T065 0326	1			Left
28	J575 8193	4			SHIM
29	3420 1846	2			WASHER
30	J400 6897	2			CLIP

MODEL CODES

16=Cherokee 2 Dr.(1981-83)	78=Cherokee 4WD-4 Dr.(1984-86)	64=Comanche 2WD-6 Ft. Box(1986)	25=J-10 Truck 7 Ft. Box(1981-84)
17=Cherokee 2 Dr.(1981-83)	85=CJ-5 (1981-83)	66=Comanche 2WD-7 Ft. Box(1986)	26=J10 Truck 8 Ft. Box(1981-86)
73=Cherokee 2WD-2 Dr.(1984-86)	86=CJ-6(1981)	63=Comanche 4WD-6 Ft. Box(1986)	27=J-20 Truck 8 Ft. Box(1981-86)
74=Cherokee 2WD-4 Dr.(1984-86)	87=CJ-7(1981-86)	65=Comanche 4WD-7 Ft. Box(1986)	15=Wagoneer 4 Dr.(1981-83)
18=Cherokee 4 Dr.(1981-83)	88=CJ-8, Scrambler(1981-86)	15=Grand Wagoneer 4 Dr.(1984-86)	75=Wagoneer 4WD-4 Dr.(1984-86)
77=Cherokee 4WD-2 Dr.(1984-86)			

BODY

CJ=CJ-5, CJ-6, CJ-7, CJ-8, Scrambler(1981-86)
MJ=Comanche Pickup(1986)

STYLES

SJ=Wagoneer(1981-83), Grand Wagoneer(1984-86),
Cherokee(1981-83), J-10, J-20(1981-86)
XJ=Wagoneer(1984-86), Cherokee(1984-86)

AR = Use as Required - = Non Illustrated Part P.A.R. = Paint as Required