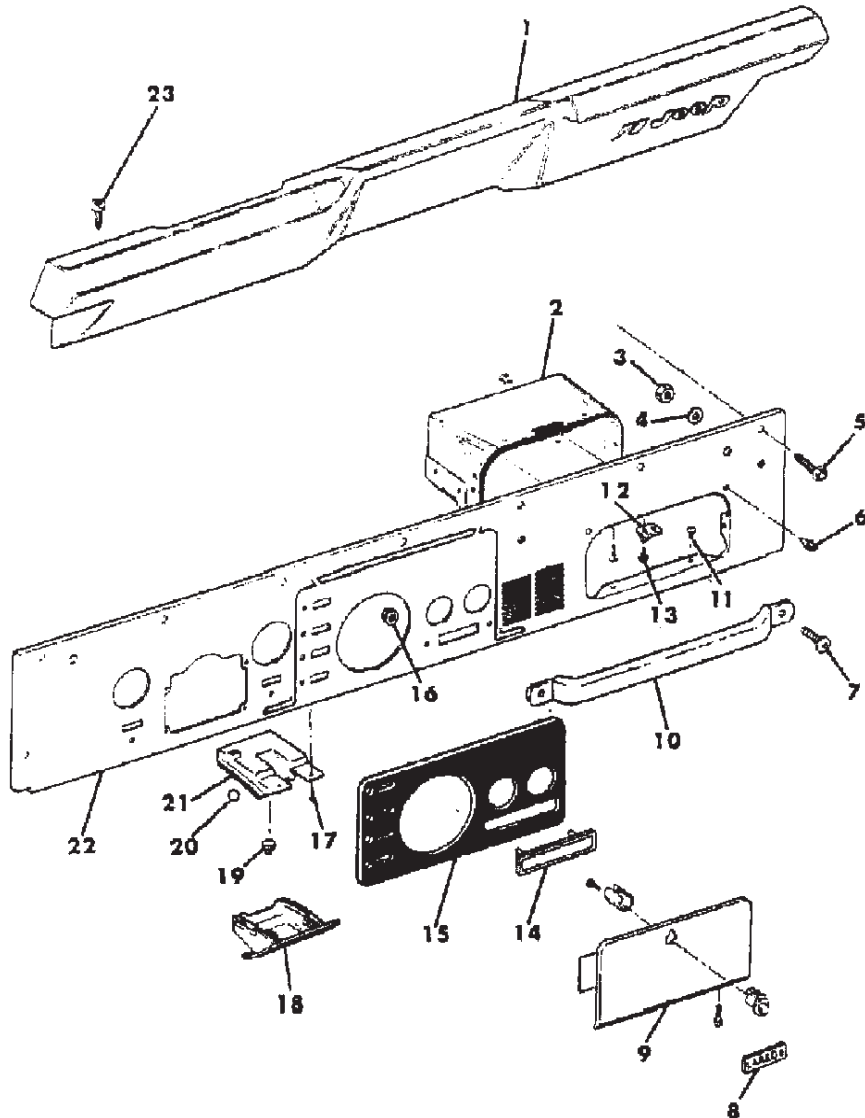


INSTRUMENT PANEL PAD AND BEZELS CJ-5,6,7,8, SCRAMBLER

Figure 8A-100

81J 082 100



ITEM	PART NUMBER	QTY	BODY	MODEL	DESCRIPTION
1	<b>PAD, Instrument Panel</b>				
	J576 0456	1			Without Movable Vent Window
	<b>J576 0458</b>	<b>1</b>			<b>With Movable Vent Window</b>
	2	J575 2279	1		HOUSING, Glove Box
	3	J027 1190	2		NUT
	4	J066 4607	2		WASHER
	5	J400 4991	12		SCREW
6	J066 4836	2		BUMPER	
7	S045 1976	2		BOLT	
8	<b>NAMEPLATE</b>				
	J575 0835	1			Laredo
9	<b>DOOR, Glove Box</b>				
	<b>J576 3560</b>	<b>1</b>			<b>30th Anniversary</b>
	J097 0053	1			With Latching Glove Box
10	<b>HANDLE, Assist</b>				
	J576 1402	1			Slate Blue
	J575 1221	1			Laredo
	J575 5358	1			Black
11	<b>SCREW</b>				
	J575 5278	1			Honey
12	<b>STRIKER, Glove Box Lock</b>				
	J068 9311	1			<b>Without Laredo</b>
13	<b>SCREW</b>				
	J941 7333	2			1981
	J095 7276	1			1982-83
14	<b>COVER</b>				
	J576 1367	1			1983-86
15	<b>OVERLAY ***</b>				
	J400 5520	2			Right Hand Drive
16	<b>NUT</b>				
	J546 2707	1			1981
17	<b>SCREW</b>				
	J546 2709	1			Right Hand Drive
18	<b>ASH TRAY</b>				
	J575 5366	1			Right Hand Drive
19	<b>PLUG</b>				
	J320 9575	2			NUT
20	<b>BALL</b>				
	J400 4426	2			SCREW

MODEL CODES

16=Cherokee 2 Dr.(1981-83)	78=Cherokee 4WD-4 Dr.(1984-86)	64=Comanche 2WD-6 Ft. Box(1986)	25=J-10 Truck 7 Ft. Box(1981-84)
17=Cherokee 2 Dr.(1981-83)	85=CJ-5 (1981-83)	66=Comanche 2WD-7 Ft. Box(1986)	26=J10 Truck 8 Ft. Box(1981-86)
73=Cherokee 2WD-2 Dr.(1984-86)	86=CJ-6(1981)	63=Comanche 4WD-6 Ft. Box(1986)	27=J-20 Truck 8 Ft. Box(1981-86)
74=Cherokee 2WD-4 Dr.(1984-86)	87=CJ-7(1981-86)	65=Comanche 4WD-7 Ft. Box(1986)	15=Wagoneer 4 Dr.(1981-83)
18=Cherokee 4 Dr.(1981-83)	88=CJ-8, Scrambler(1981-86)	15=Grand Wagoneer 4 Dr.(1984-86)	75=Wagoneer 4WD-4 Dr.(1984-86)
77=Cherokee 4WD-2 Dr.(1984-86)			

BODY

CJ=CJ-5, CJ-6, CJ-7, CJ-8, Scrambler(1981-86)  
MJ=Comanche Pickup(1986)

STYLES

SJ=Wagoneer(1981-83), Grand Wagoneer(1984-86),  
Cherokee(1981-83), J-10, J-20(1981-86)  
XJ=Wagoneer(1984-86), Cherokee(1984-86)

AR = Use as Required - = Non Illustrated Part P.A.R. = Paint as Required