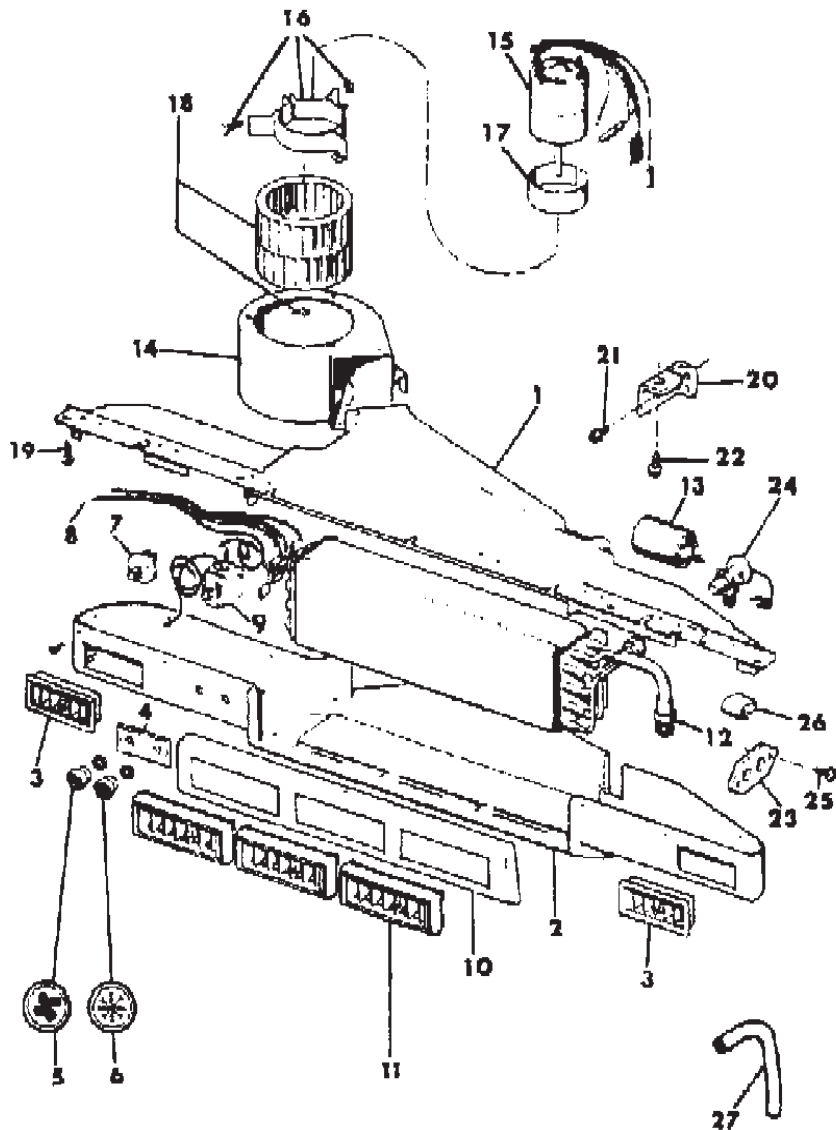


EVAPORATOR AND BLOWER, AIR CONDITIONING CJ-5,6,7,8, SCRAMBLER

Figure 24-1300

81J24 1300



ITEM	PART NUMBER	QTY	BODY	MODEL	DESCRIPTION
1	J812 8122	1			HOUSING, Evaporator Upper With Factory Air Conditioning With American Air Conditioning
	J812 7558	1			1981-82
	J812 8122	1			1983-86
2	J812 8123	1			HOUSING, Evaporator Lower With Factory Air Conditioning With American Air Conditioning
	J812 7559	1			1981-82
	J812 8123	1			1983-86
3	J812 8135	1			OUTLET, Air With Factory Air Conditioning With American Air Conditioning
	J812 7561	1			1981-82
	J812 8135	1			1983-86
4	J812 8133	1			PLATE
5	J813 3710	1			KNOB, Blower Switch
6	J813 3711	1			KNOB, Temperature Control
7	J812 9018	1			SWITCH, Blower
8	J813 2666	1			HARNASS, Air Conditioning With Factory Air Conditioning With American Air Conditioning
	J812 7565	1			1981-82
	J813 2666	1			1983-86
9	J812 1840	1			THERMOSTAT
10	J812 8129	1			PANEL, Outlet Mounting
11	J812 8134	1			OUTLET, Air With Factory Air Conditioning With American Air Conditioning
	J812 7561	1			1981-82
	J812 8134	1			1983-86
12	J812 8124	1			CORE, Evaporator With Factory Air Conditioning With American Air Conditioning
	J812 7560	1			1981-82
	J812 8124	1			1983-86
13	J315 8337	1			TAPE, Insulation
14	J812 8128	1			HOUSING, Blower/Evaporator
15					MOTOR, Blower

MODEL CODES

16=Cherokee 2 Dr.(1981-83)	78=Cherokee 4WD-4 Dr.(1984-86)	64=Comanche 2WD-6 Ft. Box(1986)	25=J-10 Truck 7 Ft. Box(1981-84)
17=Cherokee 2 Dr.(1981-83)	85=CJ-5 (1981-83)	66=Comanche 2WD-7 Ft. Box(1986)	26=J10 Truck 8 Ft. Box(1981-86)
73=Cherokee 2WD-2 Dr.(1984-86)	86=CJ-6(1981)	63=Comanche 4WD-6 Ft. Box(1986)	27=J-20 Truck 8 Ft. Box(1981-86)
74=Cherokee 2WD-4 Dr.(1984-86)	87=CJ-7(1981-86)	65=Comanche 4WD-7 Ft. Box(1986)	15=Wagoneer 4 Dr.(1981-83)
18=Cherokee 4 Dr.(1981-83)	88=CJ-8, Scrambler(1981-86)	15=Grand Wagoneer 4 Dr.(1984-86)	75=Wagoneer 4WD-4 Dr.(1984-86)
77=Cherokee 4WD-2 Dr.(1984-86)			

BODY

CJ=CJ-5, CJ-6, CJ-7, CJ-8, Scrambler(1981-86)
MJ=Comanche Pickup(1986)

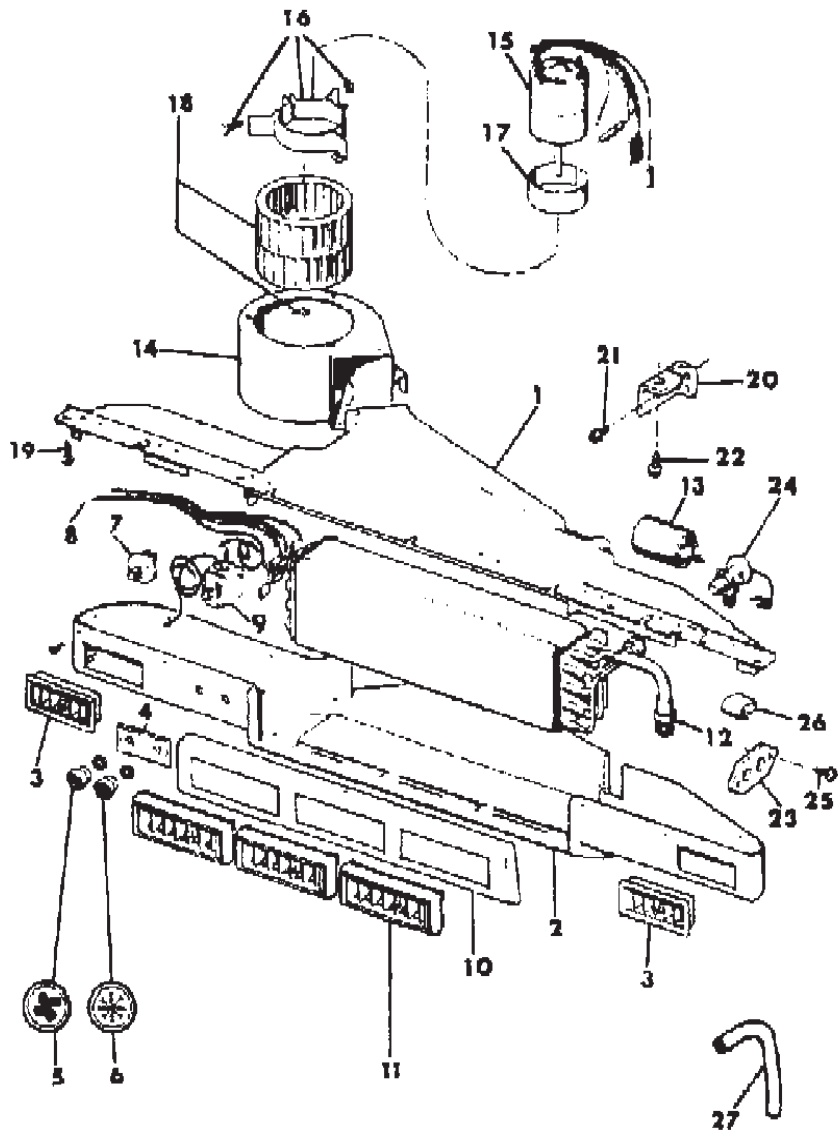
STYLES

SJ=Wagoneer(1981-83), Grand Wagoneer(1984-86),
Cherokee(1981-83), J-10, J-20(1981-86)
XJ=Wagoneer(1984-86), Cherokee(1984-86)

AR = Use as Required - = Non Illustrated Part P.A.R. = Paint as Required

EVAPORATOR AND BLOWER, AIR CONDITIONING CJ-5,6,7,8, SCRAMBLER
Figure 24-1300

81J24 1300



ITEM	PART NUMBER	QTY	BODY	MODEL	DESCRIPTION
	J812 8125	1			With Factory Air Conditioning
	J812 6691	1			With American Air Conditioning
16	J812 8139	1			BRACKET, Blower Motor
17	J812 6993	1			INSULATION
18	J812 6991	1			WHEEL, Blower
19	J812 0054	4			SCREW
20	J535 6555	1		1981-82	BRACKET, Support
	J576 3697	1		1983-86	
21	J400 4077	2			SCREW
22	J400 1701	1			SCREW
23	J318 5484	1			GROMMET
24	J812 1823	1			VALVE, Expansion
25	J400 4642	2			SCREW
26	J812 1901	1			CLAMP
27					TUBE, Drain
	J812 1901	1			With Factory Air Conditioning
	J813 2669	1			With American Air Conditioning
	J576 2368	1			1983-86

MODEL CODES

16=Cherokee 2 Dr.(1981-83)	78=Cherokee 4WD-4 Dr.(1984-86)	64=Comanche 2WD-6 Ft. Box(1986)	25=J-10 Truck 7 Ft. Box(1981-84)
17=Cherokee 2 Dr.(1981-83)	85=CJ-5 (1981-83)	66=Comanche 2WD-7 Ft. Box(1986)	26=J10 Truck 8 Ft. Box(1981-86)
73=Cherokee 2WD-2 Dr.(1984-86)	86=CJ-6(1981)	63=Comanche 4WD-6 Ft. Box(1986)	27=J-20 Truck 8 Ft. Box(1981-86)
74=Cherokee 2WD-4 Dr.(1984-86)	87=CJ-7(1981-86)	65=Comanche 4WD-7 Ft. Box(1986)	15=Wagoneer 4 Dr.(1981-83)
18=Cherokee 4 Dr.(1981-83)	88=CJ-8, Scrambler(1981-86)	15=Grand Wagoneer 4 Dr.(1984-86)	75=Wagoneer 4WD-4 Dr.(1984-86)
77=Cherokee 4WD-2 Dr.(1984-86)			

BODY

CJ=CJ-5, CJ-6, CJ-7, CJ-8, Scrambler(1981-86)
 MJ=Comanche Pickup(1986)

STYLES

SJ=Wagoneer(1981-83), Grand Wagoneer(1984-86),
 Cherokee(1981-83), J-10, J-20(1981-86)
 XJ=Wagoneer(1984-86), Cherokee(1984-86)

AR = Use as Required - = Non Illustrated Part P.A.R. = Paint as Required